

HQST-50P

50W Polycrystalline Solar Panel



Key Features

- Top Ranked PTC Rating
- High Module Conversion Efficiency
- Fast and Inexpensive Mounting
- Maximizes System output by reducing mismatch loss
- 100% EL testing on all HQST Solar Modules, Guaranteed no Hot Spots

Electrical Characteristics

Maximum Power at STC (Pmax)	50 W
Optimum Operating Voltage (Vmp)	19.8 V
Optimum Operating Current (Imp)	2.53 A
Open Circuit Voltage (Voc)	23.3 V
Short Circuit Current (Isc)	2.63 A
Maximum System Voltage	600 VDC UL
Maximum Series Fuse Rating	15 A
STC: Irradiance 1000 W/m ² , Module Temperature 25°C, AM=1.5	

Mechanical Properties

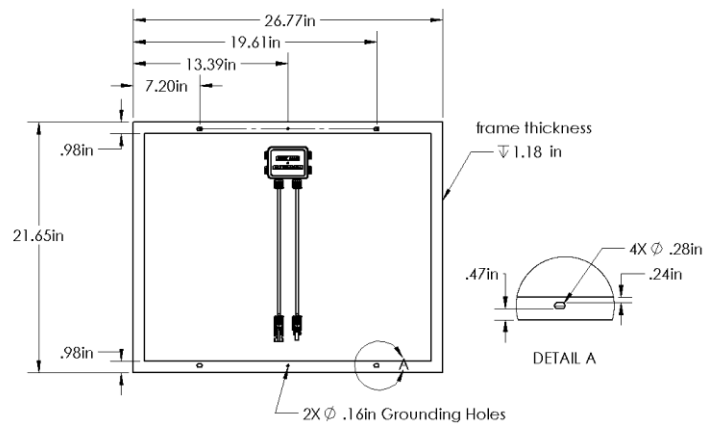
Solar Cell	Polycrystalline
# of Cells	32 (4 x 8)
Dimensions	472x657x25 mm (16.8x25.9x1.2 in)
Weight	3.8 kg. (8.4 lbs.)
Front Glass	3.2 mm (0.13 inches) Tempered Glass
Frame	Anodized Aluminum Alloy
Junction Box	IP65 Rated
Output Cables	12 AWG
Connectors	MC4 Connector Cables
Fire Rating	Class C

Temperature Characteristics

Operating Module Temperature	-40°C to +80°C
Nominal Operating Cell Temperature (NOCT)	47±2°C
Temperature Coefficient of Pmax	-0.40%/°C
Temperature Coefficient of Voc	-0.30%/°C
Temperature Coefficient of Isc	0.06%/°C



Module Diagram



IV-Curve

